

Circular Amp Chart Recorder

AMP CHART RECORDER

Circular Chart Recorder products serves industrial market requirements for high quality data acquisition and monitoring products and systems.

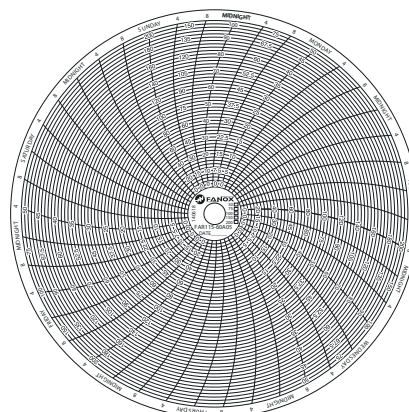
- Highly Precise sealed potentiometer as a feedback element.
- Highly precise & Accurate Stepper motor.
- Calibration through 2 potentiometers.
- Simple Interface
- IP 65

Registers most of the variable processes such as temperature, pH, conductivity, humidity or alternant current. High reliability through servomotor.

FAR



CIRCULAR CHART REGISTRY

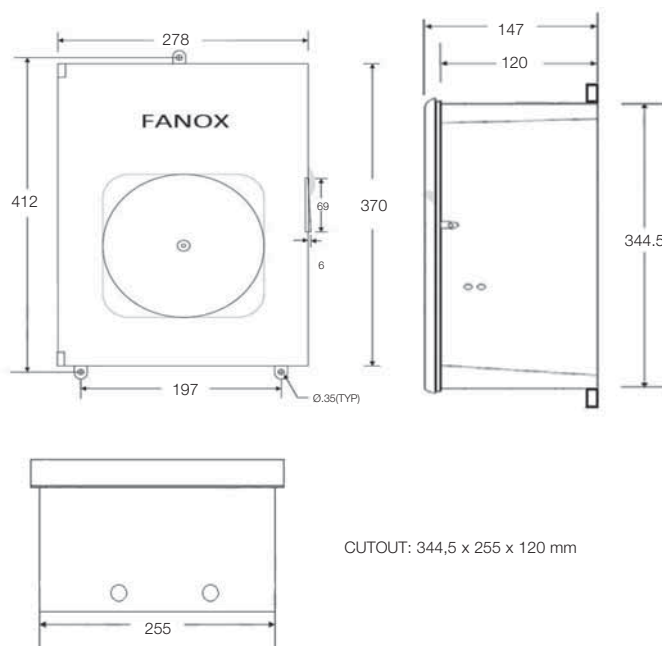


Model	Code
FAR 115-60A05	41725

CHARACTERISTICS

Power Supply	110 VAC - 50 / 60 Hz
Accuracy	1.5 % F.S.
Input Signal Range	0-5 Aac Current
Chart Speed	Selectable 24 HRS/REV or 168 HRS/REV
Chart Speed Variation	±2% 50/60 Hz
Operating Conditions	0 to 50 °C & 0 to 80% RH
Disposable Fiber tip Pen	Red/Green
Mounting	Wall / Panel mountable Encloser

DIMENSIONS and CUTOUT (mm)



ACCESORIES

Charts	25 for each recorder
Pens	5 for each recorder

DESIGN

